

Agilent E8483A Microwave Switch/Step Attenuator Driver

Data Sheet

- **2-Slot, C-size, register based**
- **Controls any Agilent 87104/87106 Series microwave switch (switching up to 26.5 GHz)**
- **Controls any Agilent 84904/06/07K/L programmable step attenuator (programmable in 1- or 10-dB steps up to 90 dB, up to 40 GHz)**

Description

The Agilent Technologies E8483A Switch/Step Attenuator Driver is a **C-size, 2-slot, register-based VXI module**. You can control up to six switches and/or attenuators. The module provides room for you to install up to three single-pole multithrow microwave switches in the module. Or you can mount the switches and/or attenuators external to the VXI module in a location closer to your DUT. The microwave switches and attenuators are not included with the E8483A and must be ordered separately.

The E8483A contains the control, drive, and power circuitry for controlling both microwave switches and step attenuators. Any combination of up to six devices (switches or attenuators) can be controlled by the E8483A. The module includes six 16-pin DIP sockets for connecting up to six microwave switches, and six 10-pin DIP sockets for connecting up to six step attenuators.

The E8483A provides +24 V drive signals to control the 87104/06 Series microwave switches and 84904/06/07K/L Series programmable step attenuators. Cables for connecting the E8483A to the drive circuitry of the switches and attenuators are included with the E8483A.

Refer to the Agilent Technologies Website for instrument driver availability and downloading instructions, as well as for recent product updates, if applicable.



Agilent E8483A shown with Agilent 87106 Series Switch and Agilent 84904 Series Attenuator



For More Information

Please request the Agilent *RF & Microwave Test Accessories Catalog* for additional information, Pub No. 5968-4314.

Product Specifications

Single-Pole MultiThrow Microwave Switches*

Configuration:	
87104A/B/C:	SP4T terminated
87106A/B/C:	SP6T terminated
Connectors:	SMA
Impedance:	50 Ω
Frequency range:	DC to 26.5 GHz
Life and repeatability:	5x10E6
Power average/peak:	1 W/50 W

Programmable Step Attenuators*

Model	Frequency Range (GHz)	Atten/Steps	Insertion Loss @ 0 dB	SWR Maximum
84904K	DC to 26.5	0-11/1 dB steps	0.8 dB + 0.04 dB/GHz	1.3 to 1.8
84904L	DC to 40	0-11/1 dB steps	0.8 dB + 0.04 dB/GHz	1.3 to 1.8
84906K	DC to 26.5	0-90/10 dB steps	0.8 dB + 0.04 dB/GHz	1.3 to 1.8
84906L	DC to 40	0-90/10 dB steps	0.8 dB + 0.04 dB/GHz	1.3 to 1.8
84907K	DC to 26.5	0-70/10 dB steps	0.6 dB + 0.03 dB/GHz	1.25 to 1.7
84907L	DC to 40	0-70/10 dB steps	0.6 dB + 0.03 dB/GHz	1.25 to 1.7

* Note: For more detailed information about microwave switches and step attenuators, please refer to the *Agilent RF & Microwave Test Accessories Catalog*, Pub No. 5968-4314.

General Specifications

VXI Characteristics

VXI device type:	Register-based, A16, slave only
Size:	C
Slots:	2
Connectors:	P1/P2
Shared memory:	None
VXI buses:	None

Instrument Drivers

See the *Agilent Technologies Website* (http://www.agilent.com/find/inst_drivers) for driver availability and downloading.

Command module firmware:	Downloadable
Command module firmware rev:	A.11.01
I-SCPI Win 3.1:	No
I-SCPI Series 700:	No
C-SCPI LynxOS:	No
C-SCPI Series 700:	No
Panel Drivers:	No
VXIplug&play Win Framework:	No
VXIplug&play Win95/NT Framework:	Yes
VXIplug&play HP-UX Framework:	No

Cooling/Slot

Watts/slot:	15
ΔP mm H₂O:	0.08
Air flow liter/s:	1.2

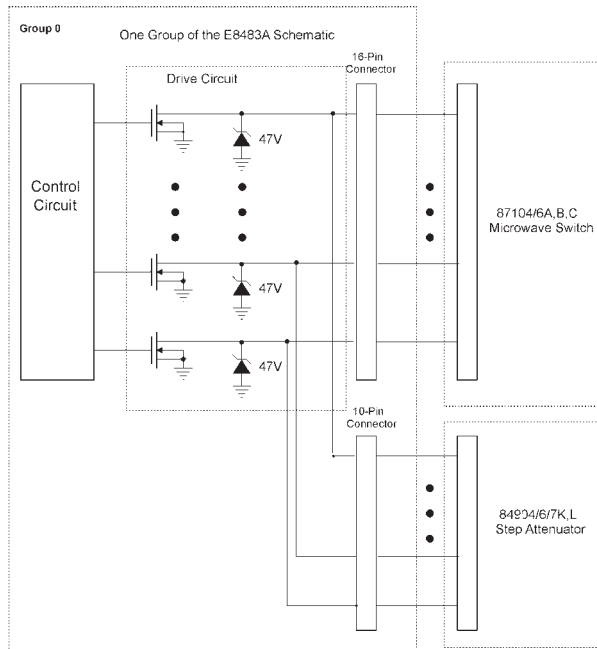
Module Current

	I _{PM} (A)	I _{DM} (A)
+5 V:	0.1	0.1
+12 V:	0	0
-12 V:	0	0
+24 V:	1.2	0.1
-24 V:	0	0
-5.2 V:	0	0
-2 V:	0	0

Ordering Information

Description	Product No.
Microwave Switch/Step Attenuator Driver	E8483A*
Microwave Switch	87104/87106 Series
Step Attenuator	84904/06/07K/L Series

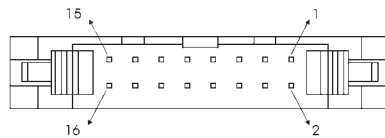
* Note: The E8483A includes six ribbon cables for Agilent 87104/87106 Series switches and six ribbon cables for Agilent 84904/84906/84907K/L attenuators.



Note: Microwave switch connections are made to the 16-pin connectors.
 Attenuator connections are made to the 10-pin connectors.
 However, only one connector of the same group can be used at a time.

Agilent E8483A Driver Circuit

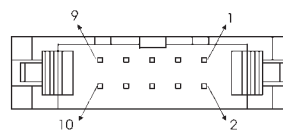
One of the Six Connectors for Microwave Switches



Pins	Function
1	+24 Vdc
2	Incl. Comm.
3	Path 1*
4	Incl. 1
5	Path 2
6	Incl. 2
7	Path 3
8	Incl.3
9	Path 4*
10	Incl. 4
11	Path 5
12	Incl. 5
13	Path 6
14	Incl. 6
15	Common Ground
16	Open all paths

* Paths 1 and 4 not connected for 87104A,B,C

One of the Six Connectors for Attenuators



Pins	Function
1	Section 1 Thru Line
2	Section 1 Attn Card
3	Common Ground
4	Section 3 Thru Line
5	Section 2 Thru Line
6	Section 4 Thru Line*
7	Section 4 Attn Card*
8	Section 2 Attn Card
9	Section 3 Attn Card
10	+24 Vdc

* Section 4 not connected for 84907K/L

16-Pin and 10-Pin Connectors Pinout

Agilent Technologies' Test and Measurement Support, Services, and Assistance

Agilent Technologies aims to maximize the value you receive, while minimizing your risk and problems. We strive to ensure that you get the test and measurement capabilities you paid for and obtain the support you need. Our extensive support resources and services can help you choose the right Agilent products for your applications and apply them successfully. Every instrument and system we sell has a global warranty. Support is available for at least five years beyond the production life of the product. Two concepts underlie Agilent's overall support policy: "Our Promise" and "Your Advantage."

Our Promise

Our Promise means your Agilent test and measurement equipment will meet its advertised performance and functionality. When you are choosing new equipment, we will help you with product information, including realistic performance specifications and practical recommendations from experienced test engineers. When you use Agilent equipment, we can verify that it works properly, help with product operation, and provide basic measurement assistance for the use of specified capabilities, at no extra cost upon request. Many self-help tools are available.

Your Advantage

Your Advantage means that Agilent offers a wide range of additional expert test and measurement services, which you can purchase according to your unique technical and business needs. Solve problems efficiently and gain a competitive edge by contracting with us for calibration, extra-cost upgrades, out-of-warranty repairs, and on-site education and training, as well as design, system integration, project management, and other professional engineering services. Experienced Agilent engineers and technicians worldwide can help you maximize your productivity, optimize the return on investment of your Agilent instruments and systems, and obtain dependable measurement accuracy for the life of those products.

By internet, phone, or fax, get assistance with all your test & measurement needs.

Online assistance:
www.agilent.com/find/assist

Phone or Fax

United States:

(tel) 1 800 829 4444

Canada:

(tel) 1 877 894 4414

(fax) (905) 282 6495

China:

(tel) 800 810 0189

(fax) 800 820 2816

Europe:

(tel) (31 20) 547 2323

(fax) (31 20) 547 2390

Japan:

(tel) (81) 426 56 7832

(fax) (81) 426 56 7840

Korea:

(tel) (82 2) 2004 5004

(fax) (82 2) 2004 5115

Latin America:

(tel) (305) 269 7500

(fax) (305) 269 7599

Taiwan:

(tel) 0800 047 866

(fax) 0800 286 331

Other Asia Pacific Countries:

(tel) (65) 6375 8100

(fax) (65) 6836 0252

(e-mail) tm_asia@agilent.com

Data Subject to Change

© Agilent Technologies, Inc. 2001

Printed in the U.S.A. May 1, 2004

5988-1409EN



Agilent Technologies